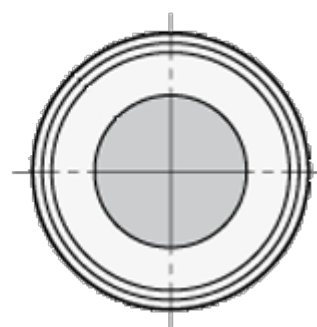
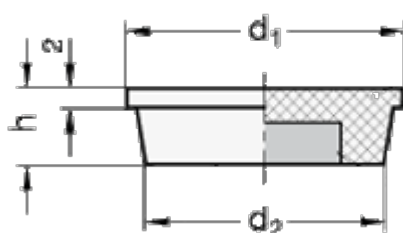


Article number: 20531ND25WS

Description: E+G Magnet GN 53.1-ND-25-WS, Plastic housing
Neodym, iron, boron, 80°C

Measures



d1	= 25
d2	= 22
h	= 8.5
Holding force N	= 14